

This catalog covers:

FS481V-□E50

This fig. covers:

TITLE

PARTS CATALOG

4-STROKE ENGINE

FS481V

PRODUCT CODE	NOTE
FS481V-AE50	MOWER
FS481V-BE50	
FS481V-CE50	
FS481V-DE50	



KAWASAKI HEAVY INDUSTRIES, LTD

P/N 99908-6059-02

This catalog covers:

FS481V-□E50

PARTS CATALOG INTRODUCTION

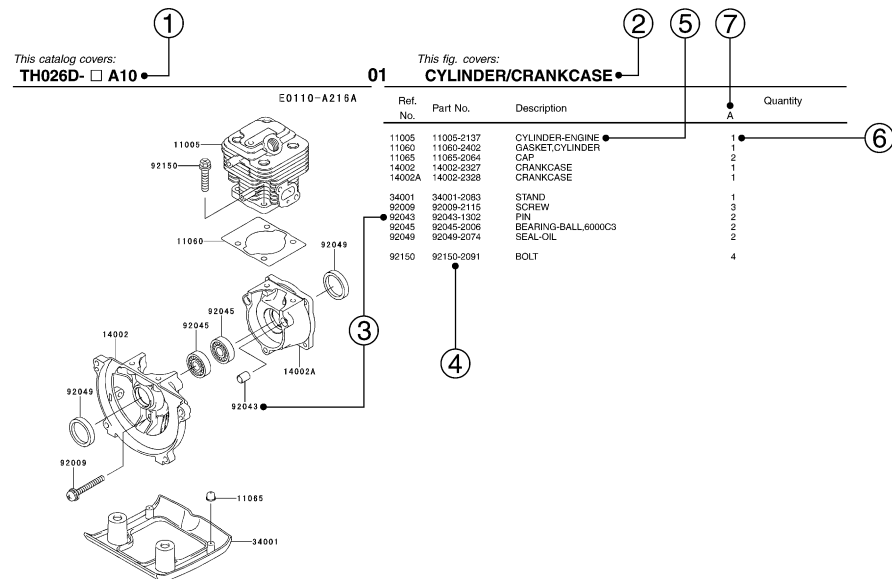
This parts catalog lists parts and sub-assemblies provided as service parts.

When it becomes necessary to replace parts, always use KAWASAKI GENUINE PARTS which have passed strict inspection which guarantees quality and performance.

1. HOW TO ORDER PARTS

- When ordering the parts, be sure to use the parts catalog corresponding to the product code. Check the product revision codes on the product and the catalog.
Product Code (example) : FA130D-**AA00**
└── Product Revision Code
- Specify the part code (all digits) exactly as listed in this catalog on your parts order.
- The parts not shown in the illustrations of this catalog are not sold separately; only the complete units or next higher assemblies illustrated are supplied as the service parts.

2. EXPLANATION OF PARTS CATALOG FORMAT



1) Product Code

This code describes the product code covered by this catalog. The product revision code, which is a part of the product code, is omitted.

2) Part Group Title

This title is the representative name for the group of parts illustrated on the page.

3) Reference Number

The reference numbers are shown on the illustration and the list as the link between them.

This fig. covers:

PARTS LIST INFORMATION

4) Part Number

This is the key of your parts ordering.

Three kinds of part number are used in this catalog.

- Structure 1
- Structure 2
- Standard Hardware Number (for bolts, nuts, washer, or the like)

5) Description and Additional Information

The part name, the location, the size, and the serial number as additional information, etc. are described here. Use them to find out and check the part required.

When a part number is changed without change of the product revision code and the changed parts are not interchangeable, the serial number of the product is noted as follows;

- (FA130 - 100001) : Affected units are from beginning of the product of the product code up to and including this serial number.
- (FA130 - 100002 -) : Affected units are from this serial number and above.
- (FA130 - 100002 - FA130 - 110001) : Affected units are in this serial number range.

6) Quantity

The figure shows quantity of the part required at the indicated position on the illustration and for the specified product revision code.

The asterisk (*) on this column means the part can be used as the substitute on the product and is supplied until the stock is exhausted.

Note: Some small parts will be supplied by units.

Example: If six (6) bolts are ordered and the minimum quantity per unit is five (5), two (2), units of the bolt will be delivered.

7) Product Revision Code

This Code indicates an important change which affects the service parts interchangeability.

3. ABBREVIATIONS

#Number	FR.....	Front	RH	Right Hand
&And	G	RPM	...	Revolutions Per Minute
(+)Plus	HEX	RR	Rear
(-)Minus	ID=	STD	Standard
2ND	IN	T	Teeth
3RD	L=	T=	Thickness
4TH	LH	U/S	Under Size
A	LWR	UPP	Upper
AR	MM	V	Volt
ASSY	O/S	W	Watt
CNT	OD=			
COMP	REF			

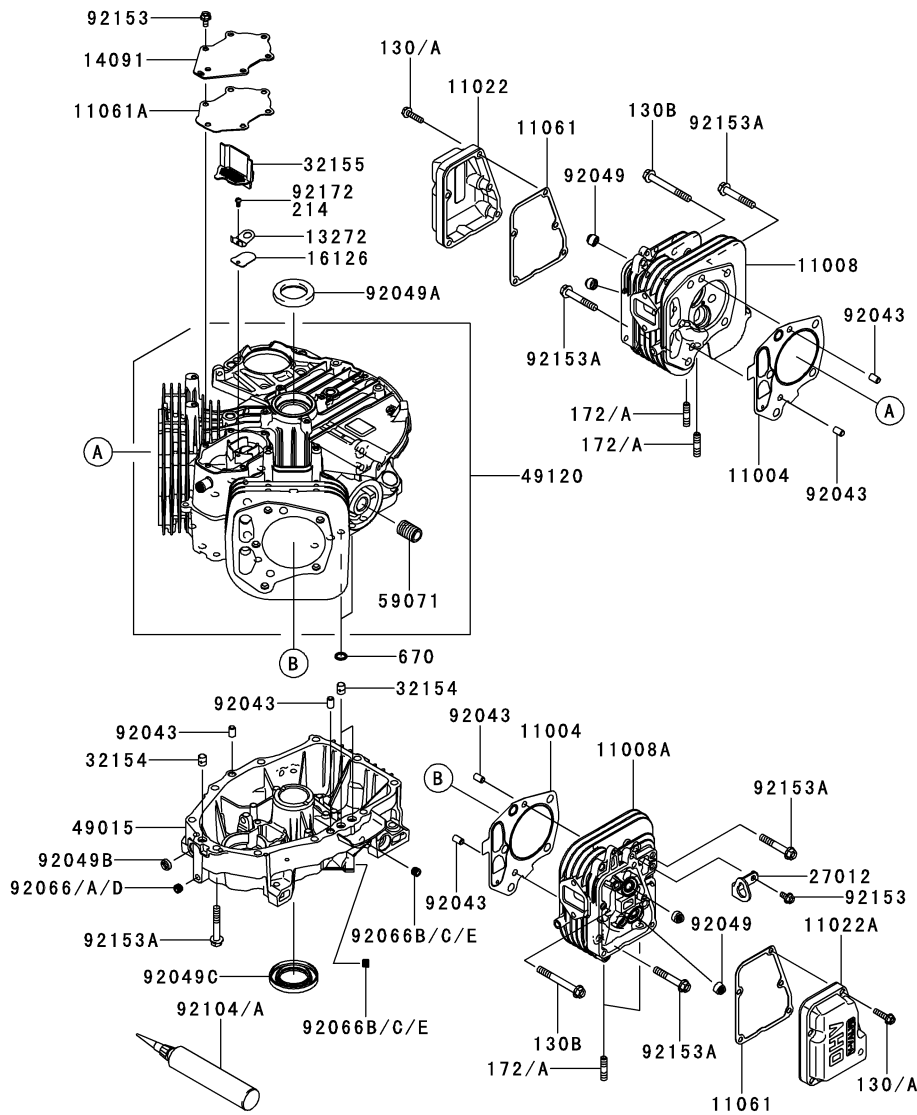
This catalog covers:

FS481V- □ E50

This fig. covers:

01 CYLINDER/CRANKCASE(AE50/BE50)

E0110-A844K



Ref. No.	Part No.	Description	Quantity			
			A	B	C	D
11004	11004-7027	GASKET-HEAD	2	2		
11008	11008-7050	HEAD-COMP-CYLINDER,#1	1	1		
11008A	11008-7051	HEAD-COMP-CYLINDER,#2	1	1		
11022	11022-0710	CASE-ROCKER,#1	1	1		
11022A	11022-0711	CASE-ROCKER,#2	1	1		
11061	11061-7083	GASKET,CASE-ROCKER	2	2		
11061A	11061-7094	GASKET,BREATHER	1	1		
13272	13272-1374	PLATE	1	1		
14091	14091-7064	COVER,BREATHER	1	1		
16126	16126-7020	VALVE,BREATHER	1	1		
27012	27012-0721	HOOK,LIFT	1	1		
32154	32154-7019	PIPE	3	3		
32155	32155-7003	PIPE,BREATHER	1	1		
49015	49015-7104	COVER-CRANKCASE	1	1		
49120	49120-0731	CRANKCASE-COMP	1	1		
59071	59071-7025	JOINT	1	1		
92043	92043-1263	PIN,6.2X8X14	6	6		
92049	92049-7001	SEAL-OIL,RVC2 6X11X10.2	4	4		
92049A	92049-7010	SEAL-OIL,SD 35X48X8 R HS	1	1		
92049B	92049-7019	SEAL-OIL,SO 8X14X5 HS	1	1		
92049C	92049-7028	SEAL-OIL,38X62X8MTCLV	1	1		
92066	92066-0761	PLUG		1		
92066A	92066-0761	PLUG	1			
92066B	92066-0762	PLUG		2		
92066C	92066-0762	PLUG	2			
92066D	92066-7023	PLUG		*		
92066E	92066-7026	PLUG		*		
92104	92104-0007	GASKET-LIQUID,TB1217H	AR	AR		
92104A	92104-7001	GASKET-LIQUID,TB1217H	*	*		
92153	92153-7043	BOLT,6X12	7	7		
92153A	92153-7054	BOLT,8X50	14	14		
92172	92172-0870	SCREW,4X8	1	1		
130	130AA0625	BOLT-FLANGED,6X25	*	*		
130A	130BA0625	BOLT-FLANGED,6X25	10	10		
130B	130CA0870	BOLT-FLANGED,8X70	6	6		
172	172BA0818	BOLT-STUD,8X18	*	*		
172A	172BA0822	BOLT-STUD,8X22	4	4		
214	214AA0408	SCREW-PAN+,4X8	*	*		
670	670B2011	O RING,11MM	2	2		

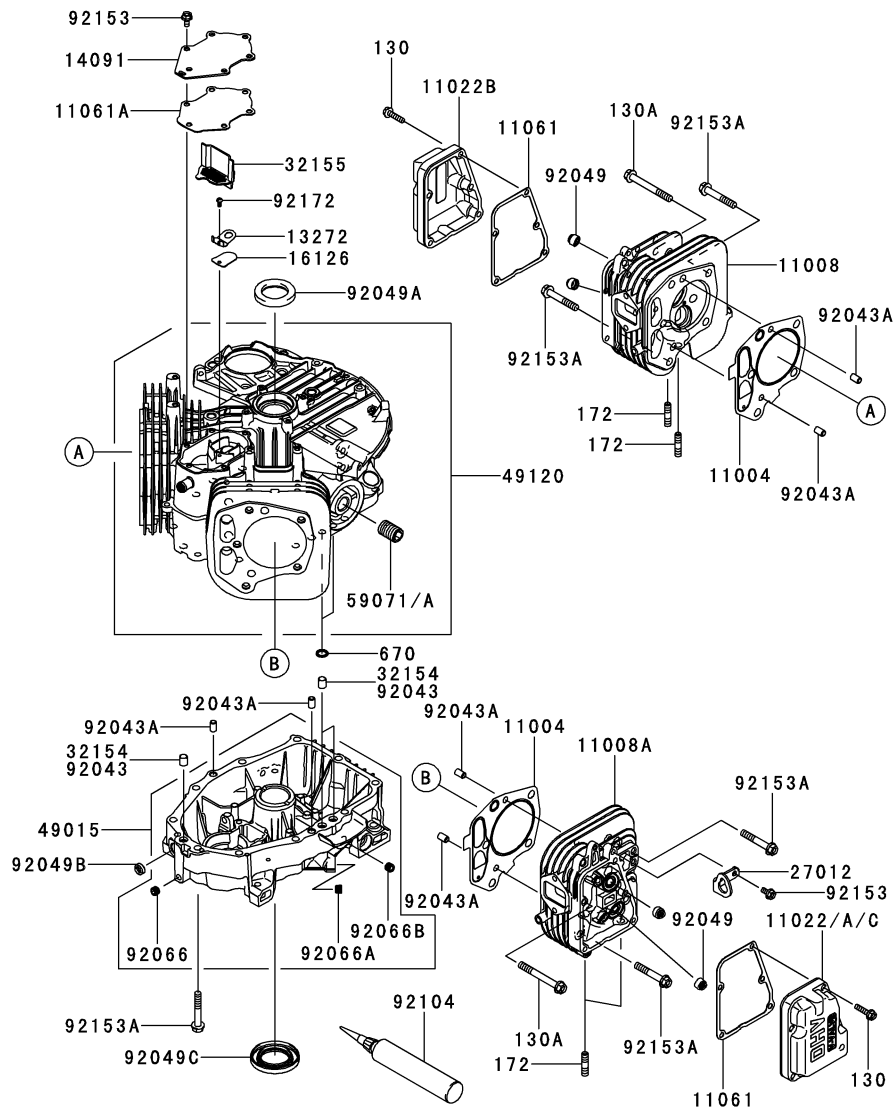
This catalog covers:

FS481V- □ E50

This fig. covers:

01 CYLINDER/CRANKCASE(CE50/DE50)

E0110-A931A



Ref. No.	Part No.	Description	Quantity			
			A	B	C	D
11004	11004-7027	GASKET-HEAD			2	2
11008	11008-7050	HEAD-COMP-CYLINDER,#1			1	1
11008A	11008-7051	HEAD-COMP-CYLINDER,#2			1	1
11022	11022-0038	CASE-ROCKER,#2				1
11022A	11022-0038	CASE-ROCKER,#2			1	
11022B	11022-0710	CASE-ROCKER,#1			1	1
11022C	11022-0711	CASE-ROCKER,#2			*	
11061	11061-7083	GASKET,CASE-ROCKER			2	2
11061A	11061-7094	GASKET,BREATHER			1	1
13272	13272-1374	PLATE			1	1
14091	14091-7064	COVER,BREATHER			1	1
16126	16126-7020	VALVE,BREATHER			1	1
27012	27012-0721	HOOK,LIFT			1	1
32154	32154-7019	PIPE			*	*
32155	32155-7003	PIPE,BREATHER			1	1
49015	49015-0019	COVER-CRANKCASE			1	1
49120	49120-0731	CRANKCASE-COMP			1	1
59071	59071-0733	JOINT			1	1
59071A	59071-7025	JOINT			*	*
92043	92043-0858	PIN			3	3
92043A	92043-1263	PIN,6.2X8X14			6	6
92049	92049-7001	SEAL-OIL,RVC2 6X11X10.2			4	4
92049A	92049-7010	SEAL-OIL,SD 35X48X8 R HS			1	1
92049B	92049-7019	SEAL-OIL,SO 8X14X5 HS			1	1
92049C	92049-7028	SEAL-OIL,38X62X8MTCLV			1	1
92066	92066-0761	PLUG			1	1
92066A	92066-0762	PLUG			1	1
92066B	92066-2223	PLUG			1	1
92104	92104-0007	GASKET-LIQUID,TB1217H			AR	AR
92153	92153-7043	BOLT,6X12			7	7
92153A	92153-7054	BOLT,8X50			14	14
92172	92172-0870	SCREW,4X8			1	1
130	130BA0625	BOLT-FLANGED,6X25			10	10
130A	130CA0870	BOLT-FLANGED,8X70			6	6
172	172BA0822	BOLT-STUD,8X22			4	4
670	670B2011	O RING,11MM			2	2

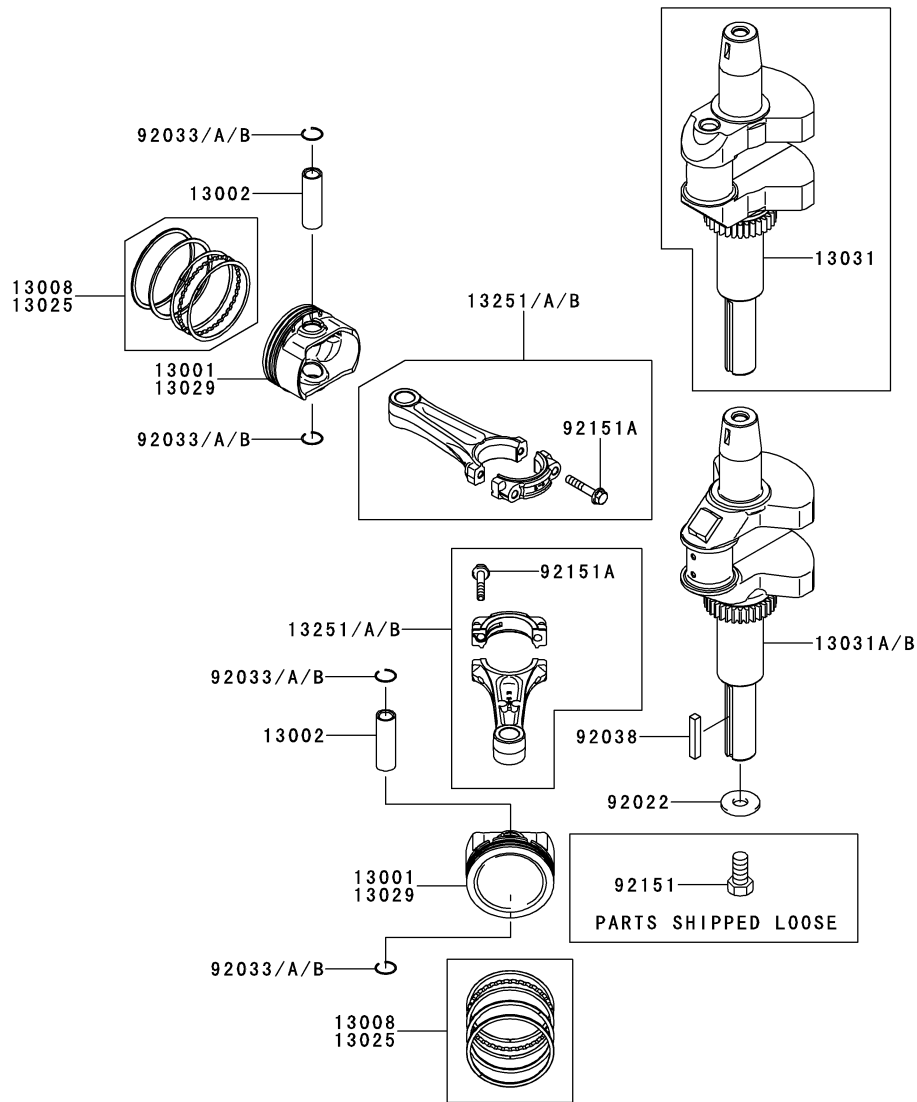
This catalog covers:

FS481V- □ E50

This fig. covers:

02 PISTON/CRANKSHAFT

E0120-A539A



Ref. No.	Part No.	Description	Quantity			
			A	B	C	D
13001	13001-7031	PISTON-ENGINE	2	2	2	2
13002	13002-7001	PIN-PISTON	2	2	2	2
13008	13008-7006	RING-SET-PISTON	2	2	2	2
13025	13025-7010	RING-SET-PISTON L,0.50	AR	AR	AR	AR
13029	13029-7011	PISTON-ENGINE L,0.50	AR	AR	AR	AR
13031	13031-0731	CRANKSHAFT-COMP	*	*	*	
13031A	13031-0814	CRANKSHAFT-COMP				1
13031B	13031-0814	CRANKSHAFT-COMP	1	1	1	
13251	13251-0718	ROD-ASSY-CONNECTING				2
13251A	13251-0718	ROD-ASSY-CONNECTING	2	2	2	
13251B	13251-7021	ROD-ASSY-CONNECTING	*	*	*	
92022	92022-1982	WASHER, 12.5X32X3.2	1	1	1	1
92033	92033-0725	RING-SNAP		4	4	4
92033A	92033-0725	RING-SNAP	4			
92033B	92033-7002	RING-SNAP	*			
92038	92038-2101	KEY	1	1	1	1
92151	92151-7010	BOLT, 7/16-20UNF	1	1	1	1
92151A	92151-7017	BOLT, 6X35	4	4	4	4

This catalog covers:

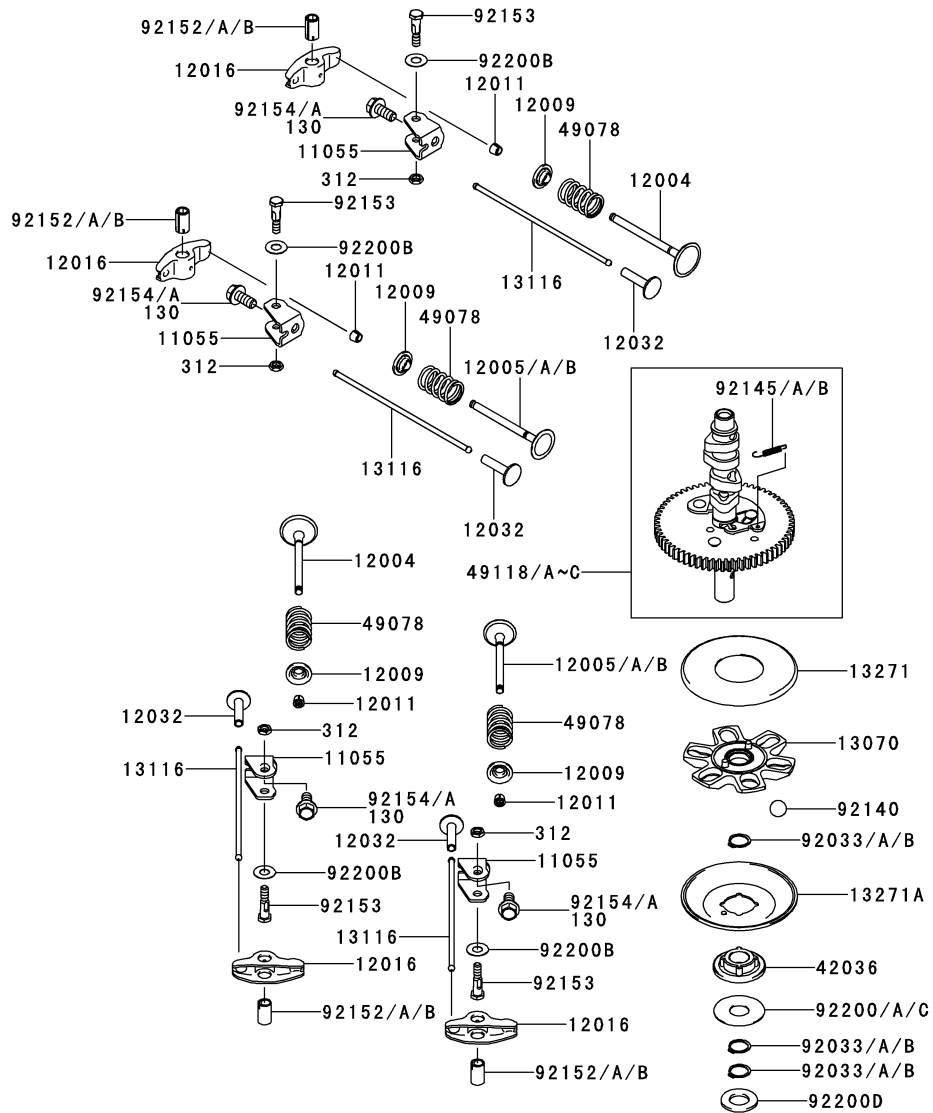
FS481V- □ E50

03

This fig. covers:

VALVE/CAMSHAFT

E0130-A216U



Ref. No.	Part No.	Description	Quantity			
			A	B	C	D
11055	11055-7009	BRACKET	4	4	4	4
12004	12004-7009	VALVE-INTAKE	2	2	2	2
12005	12005-0735	VALVE-EXHAUST		2	2	2
12005A	12005-0735	VALVE-EXHAUST	2			
12005B	12005-7010	VALVE-EXHAUST	*			
12009	12009-7001	RETAINER-VALVE SPRING	4	4	4	4
12011	12011-2056	COLLET	8	8	8	8
12016	12016-2066	ARM-ROCKER	4	4	4	4
12032	12032-7001	TAPPET	4	4	4	4
13070	13070-7017	GUIDE,GOVERNOR	1	1	1	1
13116	13116-7008	ROD-PUSH	4	4	4	4
13271	13271-7007	PLATE	1	1	1	1
13271A	13271-7021	PLATE,GOVERNOR	1	1	1	1
42036	42036-7021	SLEEVE	1	1	1	1
49078	49078-7002	SPRING-ENGINE VALVE,IN	4	4	4	4
49118	49118-0809	CAMSHAFT-COMP			1	1
49118A	49118-0809	CAMSHAFT-COMP		1		
49118B	49118-7023	CAMSHAFT-COMP	1	*		
49118C	49118-7023	CAMSHAFT-COMP		*		
92033	92033-0727	RING-SNAP		3	3	3
92033A	92033-0727	RING-SNAP	3			
92033B	92033-7001	RING-SNAP	*			
92140	92140-7005	BALL	6	6	6	6
92145	92145-1653	SPRING			1	1
92145A	92145-1653	SPRING	1	1		
92145B	92145-7001	SPRING	*	*		
92152	92152-1689	COLLAR		4	4	4
92152A	92152-1689	COLLAR	4			
92152B	92152-7022	COLLAR	*			
92153	92153-7100	BOLT,6X29.5	4	4	4	4
92154	92154-1267	BOLT,8X18.2			4	4
92154A	92154-1267	BOLT,8X18.2	4	4		
92200	92200-0945	WASHER,16X42X0.91			1	1
92200A	92200-0945	WASHER,16X42X0.91	1	1		
92200B	92200-2151	WASHER,8.1X18X0.5	4	4	4	4
92200C	92200-7009	WASHER,16X42X0.91	*	*		
92200D	92200-7048	WASHER,16.3X30X2.28	1	1	1	1
130	130AA0814	BOLT-FLANGED,8X14	*	*		
312	312AA0600	NUT-HEX,6MM	4	4	4	4

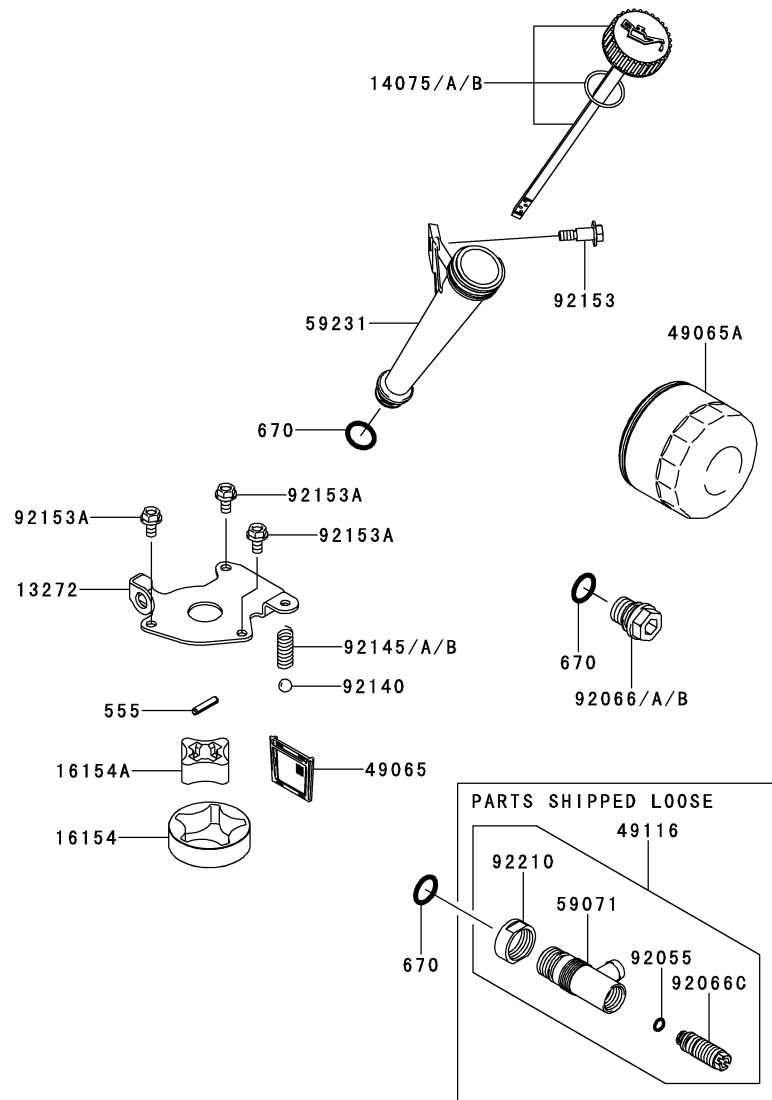
This catalog covers:

FS481V- □ E50

This fig. covers:

04 LUBRICATION-EQUIPMENT

E0140-A531E



Ref. No.	Part No.	Description	Quantity			
			A	B	C	D
13272	13272-7011	PLATE, ROTOR	1	1	1	1
14075	14075-0037	CAP-ASSY			1	1
14075A	14075-0037	CAP-ASSY	1	1		
14075B	14075-7013	CAP-ASSY, OIL GAUGE	*	*		
16154	16154-7010	ROTOR-PUMP, OUTER	1	1	1	1
16154A	16154-7011	ROTOR-PUMP, INNER	1	1	1	1
49065	49065-7006	FILTER-OIL	1	1	1	1
49065A	49065-7007	FILTER-OIL	1	1	1	1
49116	49116-7001	VALVE-ASSY	1	1	1	1
59071	59071-7008	JOINT	1	1	1	1
59231	59231-0712	FILLER	1	1	1	1
92055	92055-7002	RING-O, 6MM	1	1	1	1
92066	92066-0774	PLUG			1	1
92066A	92066-0774	PLUG	1	1		
92066B	92066-7003	PLUG	*	*		
92066C	92066-7007	PLUG	1	1	1	1
92140	92140-7003	BALL, STEEL, 13/32	1	1	1	1
92145	92145-1658	SPRING				1
92145A	92145-1658	SPRING	1	1	1	
92145B	92145-7002	SPRING	*	*	*	
92153	92153-7008	BOLT	1	1	1	1
92153A	92153-7043	BOLT, 6X12	3	3	3	3
92210	92210-7012	NUT, M22	1	1	1	1
555	555A0420	PIN-SPRING, 4X20	1	1	1	1
670	670D2016	O RING, 16MM	3	3	3	3

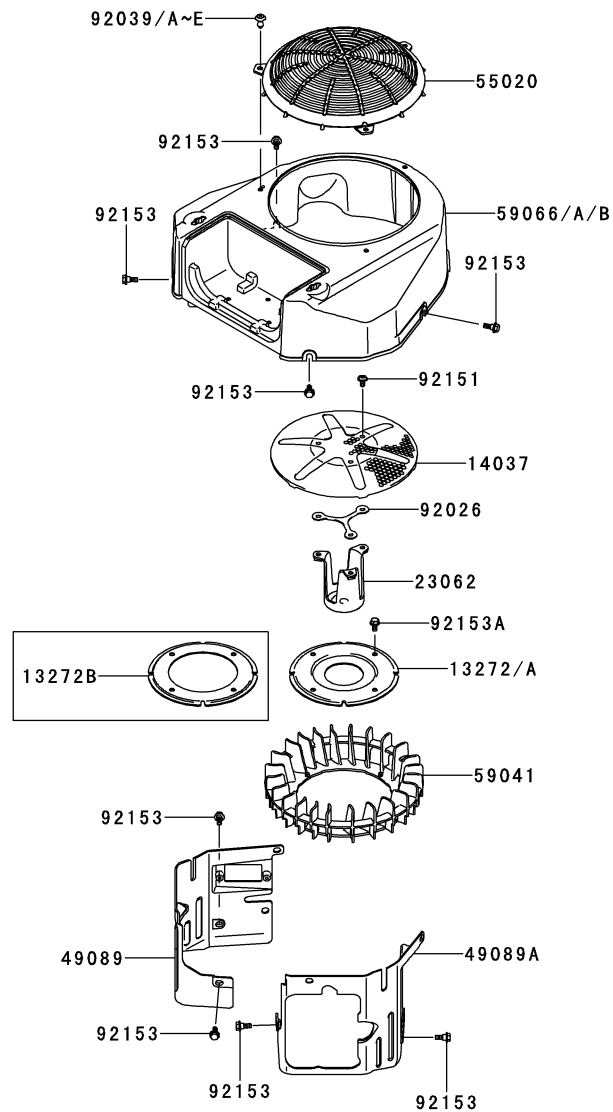
This catalog covers:

FS481V- □ E50

This fig. covers:

05 COOLING-EQUIPMENT

E0150-B272A



Ref. No.	Part No.	Description	Quantity			
			A	B	C	D
13272	13272-1487	PLATE,FAN	1		1	1
13272A	13272-1487	PLATE,FAN		1		
13272B	13272-7006	PLATE,FAN		*		
14037	14037-7008-9H	SCREEN	1	1	1	1
23062	23062-7022	BRACKET-COMP	1	1	1	1
49089	49089-7083	SHROUD-ENGINE	1	1	1	1
49089A	49089-7084	SHROUD-ENGINE	1	1	1	1
55020	55020-0900	GUARD	1	1	1	1
59041	59041-0008	FAN	1	1	1	1
59066	59066-0018	HOUSING-FAN	*	*		
59066A	59066-0044	HOUSING-FAN			1	1
59066B	59066-0044	HOUSING-FAN	1	1		
92026	92026-7007	SPACER	1	1	1	1
92039	92039-0734	RIVET,GUARD	3			
92039A	92039-0734	RIVET,GUARD			*	
92039B	92039-0734	RIVET,GUARD		3		
92039C	92039-0751	RIVET,GUARD				3
92039D	92039-0751	RIVET,GUARD			3	
92039E	92039-7004	RIVET,GUARD		*		
92151	92151-7012	BOLT,6X12	3	3	3	3
92153	92153-7007	BOLT,FLANGED,6X16	8	8	8	8
92153A	92153-7043	BOLT,6X12	4	4	4	4

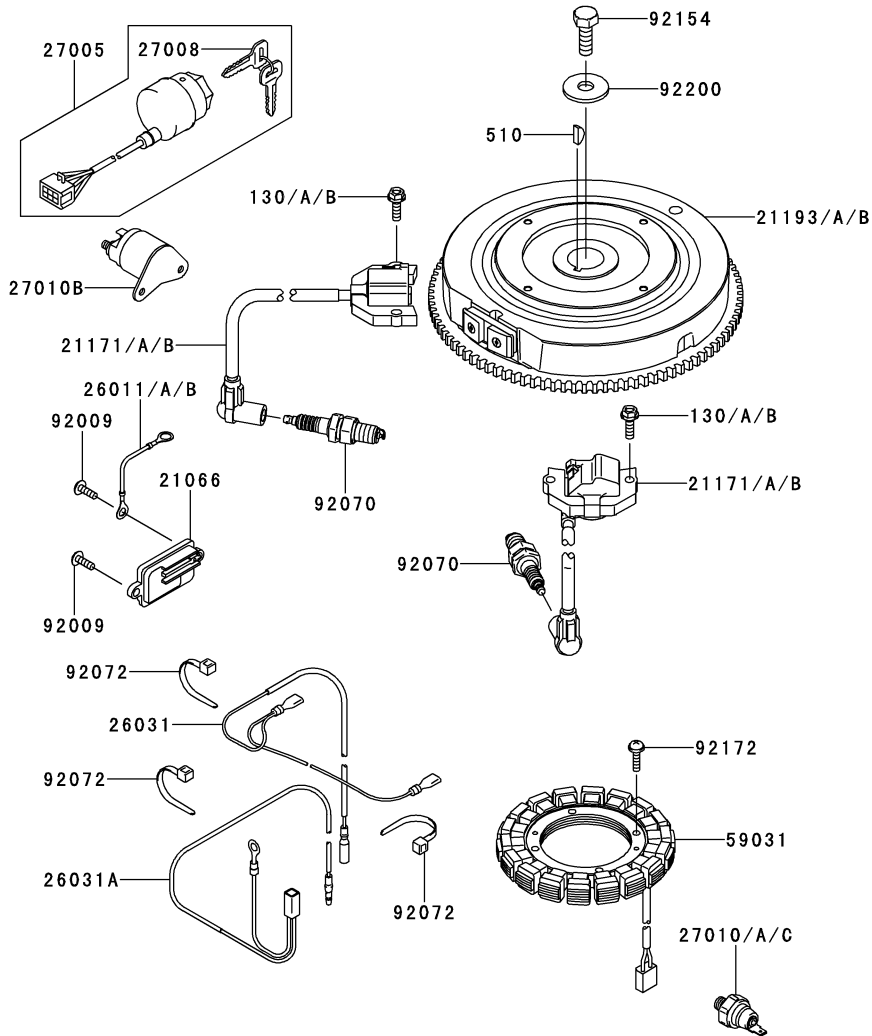
This catalog covers:

FS481V- □ E50

This fig. covers:

06 ELECTRIC-EQUIPMENT

E0160-B634B



Ref. No.	Part No.	Description	Quantity			
			A	B	C	D
21066	21066-7017	REGULATOR-VOLTAGE	1	1	1	1
21171	21171-0711	COIL-ASSY-IGNITION	2	2	2	
21171A	21171-0711	COIL-ASSY-IGNITION				*
21171B	21171-0738	COIL-ASSY-IGNITION,#1 CYL				2
21193	21193-0016	FLYWHEEL-ASSY				1
21193A	21193-0016	FLYWHEEL-ASSY	1	1	1	
21193B	21193-7038	FLYWHEEL-ASSY	*	*	*	
26011	26011-2234	WIRE-LEAD				1
26011A	26011-7025	WIRE-LEAD,L=95	1	1	1	
26011B	26011-7025	WIRE-LEAD,L=95				*
26031	26031-7040	HARNESS	1	1	1	1
26031A	26031-7047	HARNESS	1	1	1	1
27005	27005-2056	SWITCH-ASSY-IGNITION	1	1	1	1
27008	27008-2055	KEY-LOCK	2	2	2	2
27010	27010-0818	SWITCH				1
27010A	27010-0818	SWITCH	1	1	1	
27010B	27010-2154	SWITCH	1	1	1	1
27010C	27010-7002	SWITCH	*	*	*	
59031	59031-7017	COIL-CHARGING	1	1	1	1
92009	92009-2303	SCREW	2	2	2	2
92070	92070-7004	PLUG-SPARK,BPR4ES(NGK),SOLID	2	2	2	2
92072	92072-7003	BAND	3	3	3	3
92154	92154-7003	BOLT,12X30	1	1	1	1
92172	92172-7018	SCREW,5X20	4	4	4	4
92200	92200-7002	WASHER	1	1	1	1
130	130AA0620	BOLT-FLANGED,6X20	*	*		
130A	130BA0620	BOLT-FLANGED,6X20			4	4
130B	130BA0620	BOLT-FLANGED,6X20	4	4		
510	510A5100	KEY-WOODRUFF	1	1	1	1

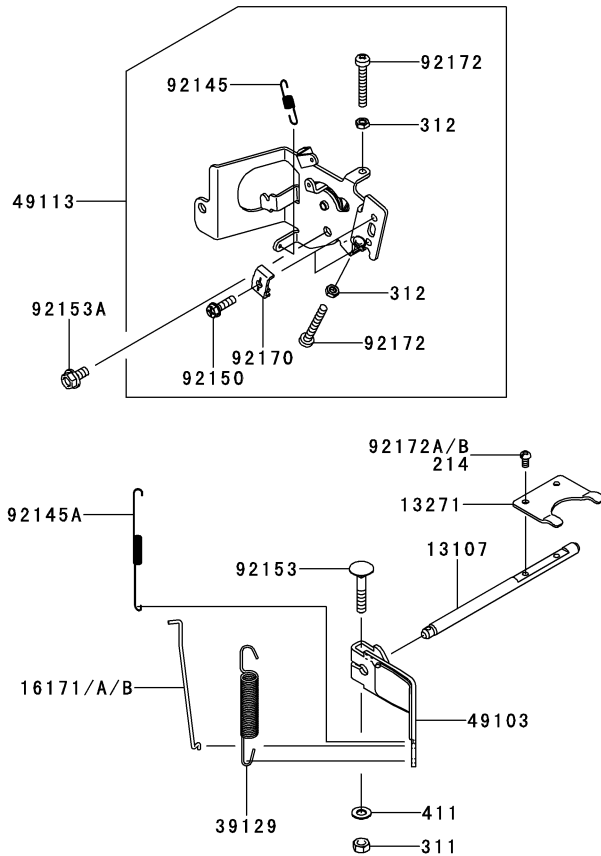
This catalog covers:

FS481V- □ E50

This fig. covers:

07 CONTROL-EQUIPMENT

E0170-A759J



Ref. No.	Part No.	Description	Quantity			
			A	B	C	D
13107	13107-7049	SHAFT	1	1	1	1
13271	13271-7038	PLATE	1	1	1	1
16171	16171-0035	LINK			1	1
16171A	16171-0035	LINK	1	1		
16171B	16171-7025	LINK	*	*		
39129	39129-0725	SPRING-GOVERNOR	1	1	1	1
49103	49103-7017	ARM-GOVERNOR	1	1	1	1
49113	49113-0725	PANEL-COMP-CONTROL	1	1	1	1
92145	92145-7004	SPRING	1	1	1	1
92145A	92145-7057	SPRING	1	1	1	1
92150	92150-2182	BOLT,5X18	2	2	2	2
92153	92153-7033	BOLT,6X35	1	1	1	1
92153A	92153-7043	BOLT,6X12	1	1	1	1
92170	92170-7001	CLAMP	2	2	2	2
92172	92172-0792	SCREW,5X35	2	2	2	2
92172A	92172-0870	SCREW,4X8			2	2
92172B	92172-0870	SCREW,4X8	2	2		
214	214AA0408	SCREW-PAN+-,4X8	*	*		
311	311BA0600	NUT-HEX,6MM	1	1	1	1
312	312AA0500	NUT-HEX,5MM	2	2	2	2
411	411AA0600	WASHER-PLAIN,6MM	1	1	1	1

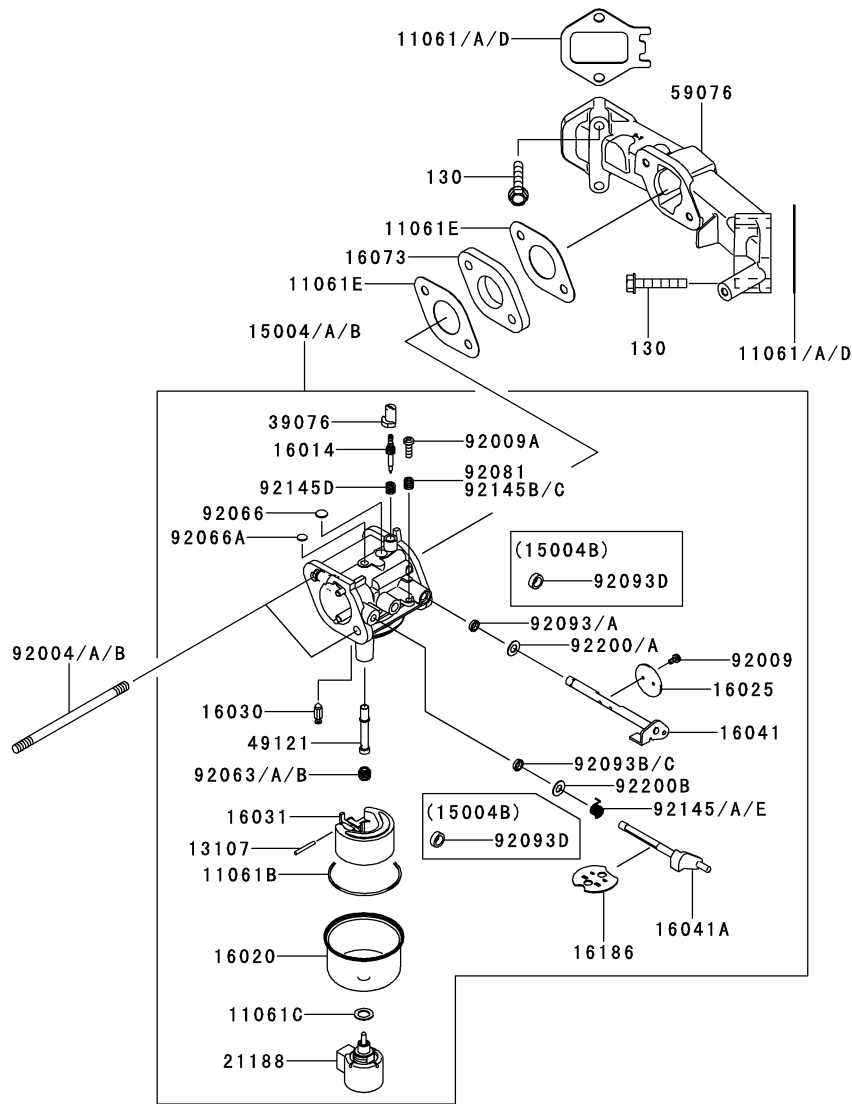
This catalog covers:

FS481V- □ E50

This fig. covers:

08 CARBURETOR

E0180-B093A



Ref. No.	Part No.	Description	Quantity			
			A	B	C	D
11061	11061-0877	GASKET,MANIFOLD		2	2	2
11061A	11061-0877	GASKET,MANIFOLD	2			
11061B	11061-7009	GASKET,CHAMBER	1	1	1	1
11061C	11061-7010	GASKET,SCREW	1	1	1	1
11061D	11061-7089	GASKET,MANIFOLD	*			
11061E	11061-7096	GASKET,INSULATOR	2	2	2	2
13107	13107-7018	SHAFT	1	1	1	1
15004	15004-0822	CARBURETOR-ASSY		1	1	1
15004A	15004-0822	CARBURETOR-ASSY	1			
15004B	15004-7085	CARBURETOR-ASSY	*			
16014	16014-7011	SCREW-PILOT AIR	1	1	1	1
16020	16020-7003	CHAMBER-FLOAT	1	1	1	1
16025	16025-7006	VALVE-THROTTLE	1	1	1	1
16030	16030-7003	VALVE-FLOAT	1	1	1	1
16031	16031-7002	FLOAT	1	1	1	1
16041	16041-7018	SHAFT-CARBURETOR,THROTTLE	1	1	1	1
16041A	16041-7049	SHAFT-CARBURETOR,CHOKE	1	1	1	1
16073	16073-7007	INSULATOR	1	1	1	1
16186	16186-7001	VALVE-ASSY-CHOKE	1	1	1	1
21188	21188-7002	SOLENOID	1	1	1	1
39076	39076-7001	LIMITER	1	1	1	1
49121	49121-7021	NOZZLE-MAIN	1	1	1	1
59076	59076-7020	MANIFOLD-INTAKE	1	1	1	1
92004	92004-2149	STUD,6X98		2	2	2
92004A	92004-2149	STUD,6X98	2			
92004B	92004-7027	STUD,6X95	*			
92009	92009-2083	SCREW	2	2	2	2
92009A	92009-2349	SCREW	1	1	1	1
92063	92063-7046	JET-MAIN,#100,3280FT	AR	AR	AR	AR
92063A	92063-7047	JET-MAIN,#098,6560FT	AR	AR	AR	AR
92063B	92063-7156	JET-MAIN,#102	1	1	1	1
92066	92066-2204	PLUG	1	1	1	1
92066A	92066-2244	PLUG	1	1	1	1
92081	92081-2234	SPRING	*	*		
92093	92093-0593	SEAL		1	1	1
92093A	92093-0593	SEAL	1			
92093B	92093-0594	SEAL		1	1	1
92093C	92093-0594	SEAL	1			

This catalog covers:

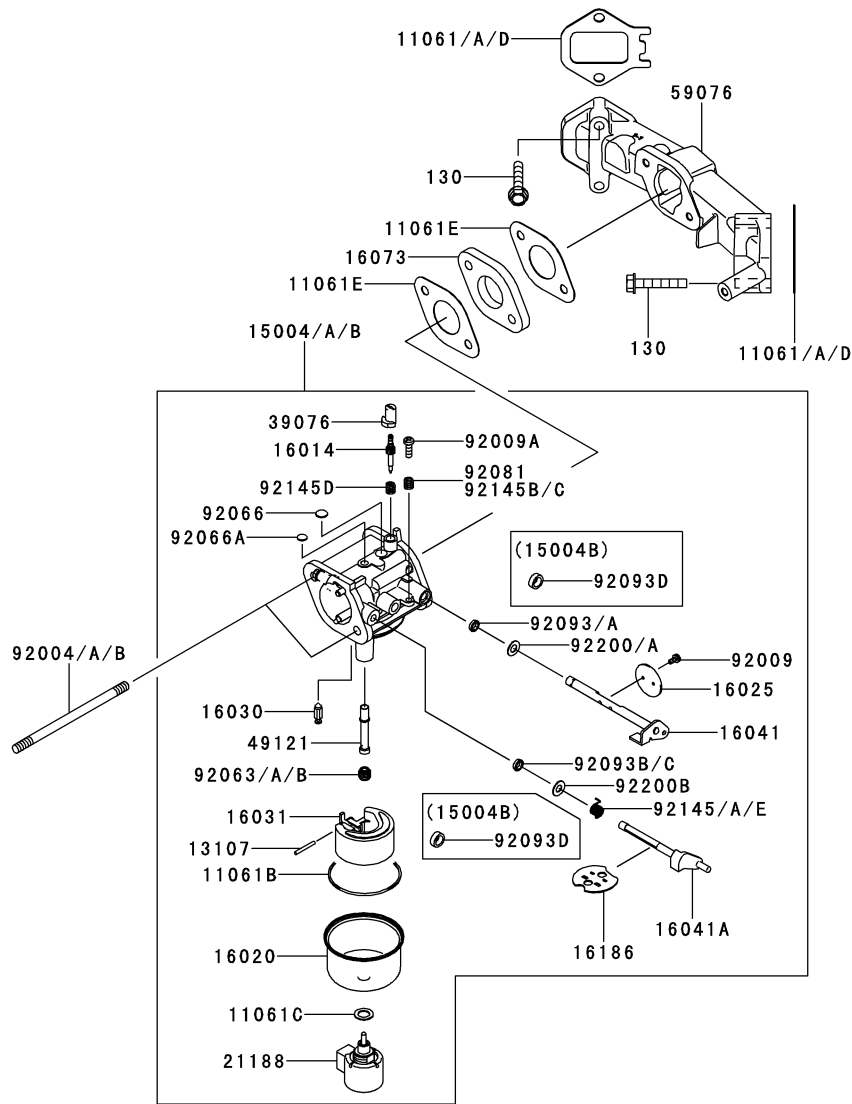
FS481V- □ E50

This fig. covers:

08 CARBURETOR

E0180-B093A

Ref. No.	Part No.	Description	Quantity			
			A	B	C	D
92093D	92093-2100	SEAL	*			
92145	92145-0931	SPRING		1	1	1
92145A	92145-0931	SPRING	1			
92145B	92145-1579	SPRING			1	1
92145C	92145-1579	SPRING	1	1		
92145D	92145-7015	SPRING	1	1	1	1
92145E	92145-7061	SPRING	*			
92200	92200-0848	WASHER		1	1	1
92200A	92200-0848	WASHER	1			
92200B	92200-2061	WASHER,9.8X5.5X1.0	1	1	1	1
130	130AA0635	BOLT-FLANGED,6X35	4	4	4	4



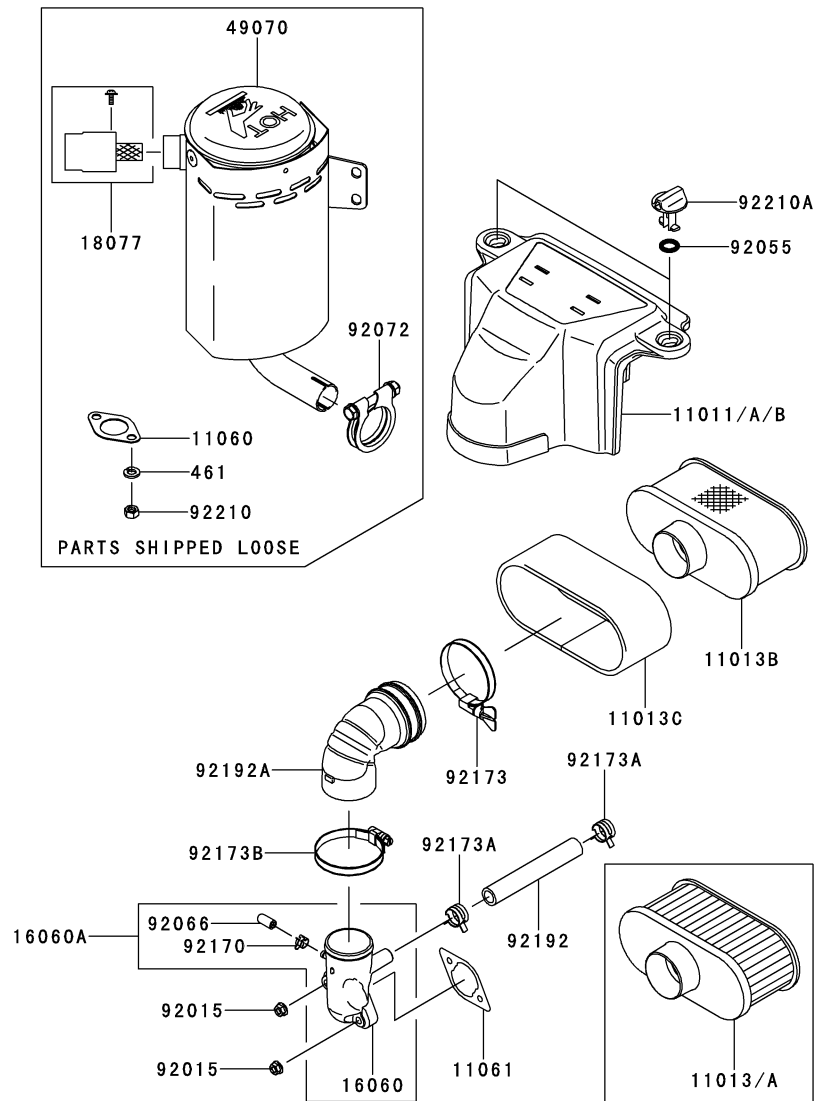
This catalog covers:

FS481V- □ E50

This fig. covers:

09 AIR-FILTER/MUFFLER

E0190-B595A



Ref. No.	Part No.	Description	Quantity			
			A	B	C	D
11011	11011-0775	CASE-AIR FILTER	*	*		
11011A	11011-0787	CASE-AIR FILTER			1	1
11011B	11011-0787	CASE-AIR FILTER	1	1		
11013	11013-0726	ELEMENT-AIR FILTER	1	1		
11013A	11013-0726	ELEMENT-AIR FILTER			*	*
11013B	11013-0752	ELEMENT-AIR FILTER			1	1
11013C	11013-7046	ELEMENT-AIR FILTER	1	1	1	1
11060	11060-7016	GASKET,MUFFLER	2	2	2	2
11061	11061-7095	GASKET,AIR CLEANER	1	1	1	1
16060	16060-0740	PIPE-INTAKE	1	1	1	1
16060A	16060-0742	PIPE-INTAKE	1	1	1	1
18077	18077-7001	ARRESTER-SPARK	1	1	1	1
49070	49070-7024	MUFFLER-COMP	1	1	1	1
92015	92015-1367	NUT,FLANGED,6MM	2	2	2	2
92055	92055-7025	RING-O	2	2	2	2
92066	92066-0095	PLUG	1	1	1	1
92072	92072-7012	BAND	1	1	1	1
92170	92170-2042	CLAMP	1	1	1	1
92173	92173-1001	CLAMP	1	1	1	1
92173A	92173-7003	CLAMP	2	2	2	2
92173B	92173-7009	CLAMP	1	1	1	1
92192	92192-7146	TUBE,12.6X18.6X118	1	1	1	1
92192A	92192-7164	TUBE,A/C	1	1	1	1
92210	92210-7027	NUT,M8	4	4	4	4
92210A	92210-7038	NUT	2	2	2	2
461	461DA0800	WASHER-SPRING,8MM	4	4	4	4

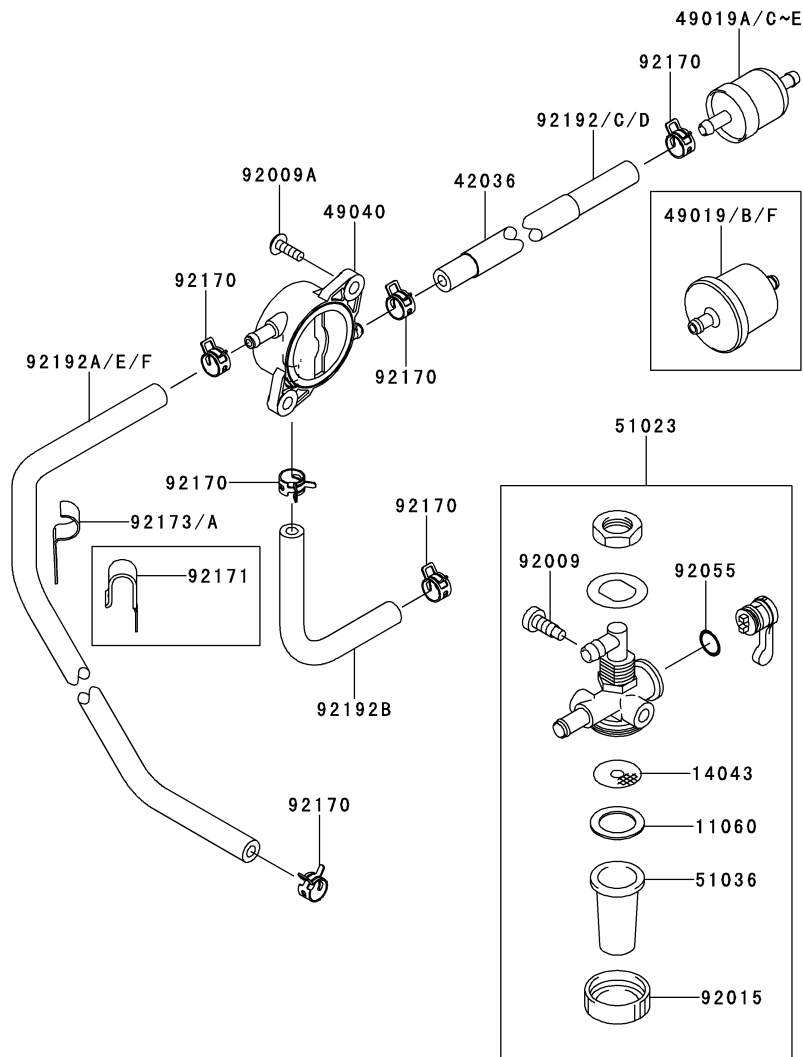
This catalog covers:

FS481V- □ E50

This fig. covers:

10 FUEL-TANK/FUEL-VALVE

E0200-A891B



Ref. No.	Part No.	Description	Quantity			
			A	B	C	D
11060	11060-2315	GASKET	1	1	1	1
14043	14043-2058	FILTER,FUEL TAP	1	1	1	1
42036	42036-7015	SLEEVE	1	1	1	1
49019	49019-0014	FILTER-FUEL	*	*		
49019A	49019-0027	FILTER-FUEL				1
49019B	49019-0707	FILTER-FUEL	*	*		
49019C	49019-7001	FILTER-FUEL			1	
49019D	49019-7001	FILTER-FUEL				*
49019E	49019-7001	FILTER-FUEL	1	1		
49019F	49019-7005	FILTER-FUEL	*	*		
49040	49040-7008	PUMP-FUEL	1	1	1	1
51023	51023-2159	TAP-ASSY	1	1	1	1
51036	51036-2066	CUP,FUEL TAP	1	1	1	1
92009	92009-2004	SCREW,4MM	1	1	1	1
92009A	92009-2303	SCREW	2	2	2	2
92015	92015-2007	NUT	1	1	1	1
92055	92055-2002	RING-O	1	1	1	1
92170	92170-2009	CLAMP	6	6	6	6
92171	92171-7008	CLAMP	*			
92173	92173-1000	CLAMP		1	1	1
92173A	92173-1000	CLAMP	1			
92192	92192-1551	TUBE,6.35X12.7X185			1	1
92192A	92192-1560	TUBE,6.35X12.7X375			1	1
92192B	92192-7148	TUBE,6.4X12.7X150	1	1	1	1
92192C	92192-7172	TUBE,6.35X12.7X185	1	1		
92192D	92192-7172	TUBE,6.35X12.7X185			*	*
92192E	92192-7185	TUBE,6.35X12.7X375	1	1		
92192F	92192-7185	TUBE,6.35X12.7X375			*	*

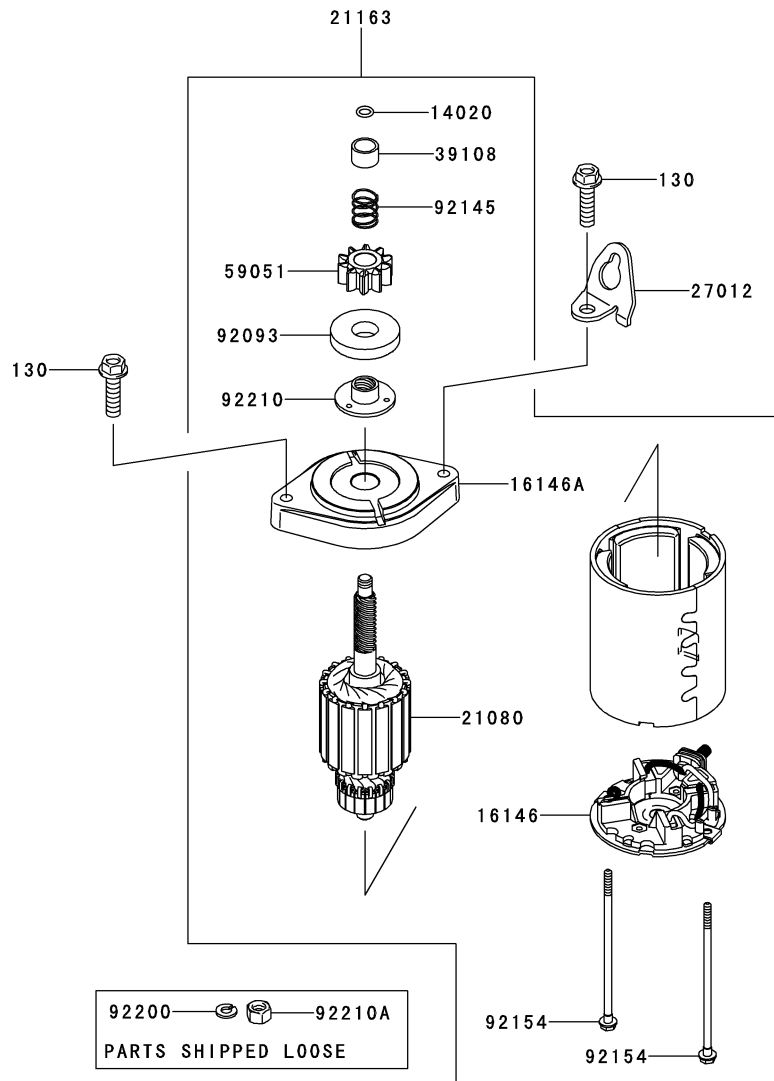
This catalog covers:

FS481V- □ E50

This fig. covers:

11 STARTER(~FS481VA57360)

E0210-A586B



Ref. No.	Part No.	Description	Quantity			
			A	B	C	D
14020	14020-7002	RETAINER	1			
16146	16146-7027	COVER-ASSY	1			
16146A	16146-7030	COVER-ASSY	1			
21080	21080-0003	ARMATURE	1			
21163	21163-0714	STARTER-ELECTRIC	1			
27012	27012-7008	HOOK	1			
39108	39108-0552	RETAINER-SPRING	1			
59051	59051-7034	GEAR-SPUR	1			
92093	92093-7007	SEAL	1			
92145	92145-7060	SPRING	1			
92154	92154-7001	BOLT	2			
92200	92200-0834	WASHER	1			
92210	92210-7017	NUT	1			
92210A	92210-7034	NUT	1			
130	130BA0830	BOLT-FLANGED,8X30	2			

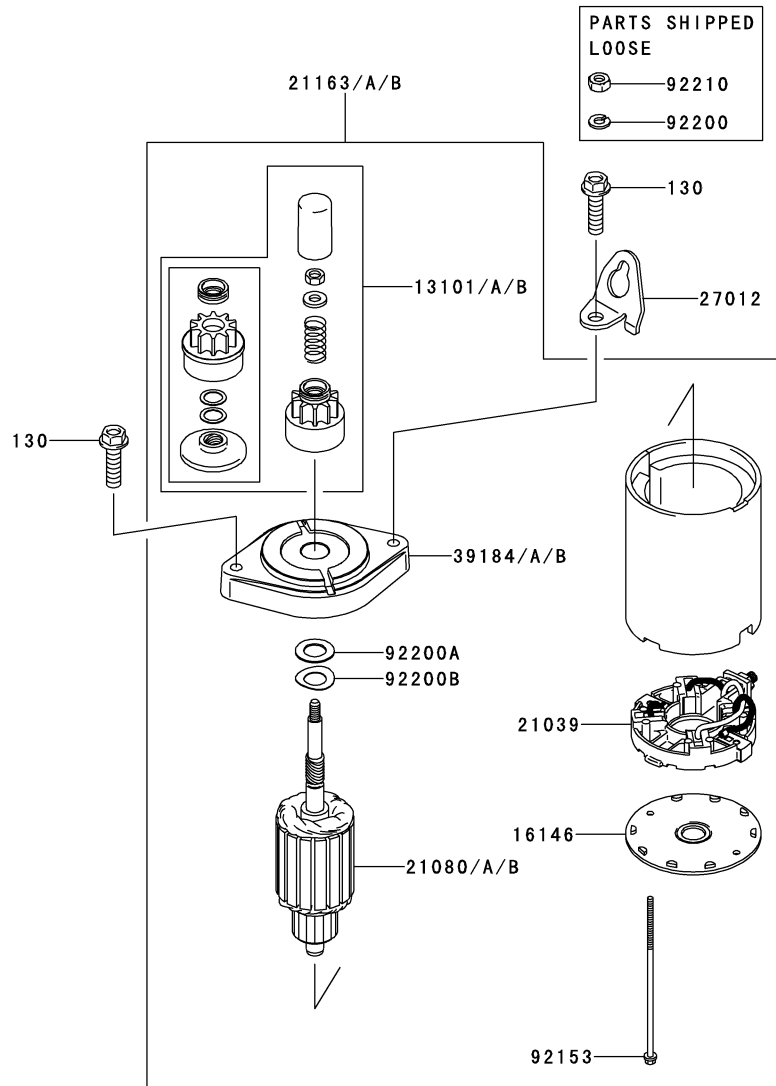
This catalog covers:

FS481V- □ E50

This fig. covers:

11 STARTER(FS481VA57361~)

E0210-A721A



Ref. No.	Part No.	Description	Quantity			
			A	B	C	D
13101	13101-0650	GEAR-ASSY			1	1
13101A	13101-0650	GEAR-ASSY	1	1		
13101B	13101-7010	GEAR-ASSY	*	*		
16146	16146-7013	COVER-ASSY	1	1	1	1
21039	21039-7002	BRUSH	1	1	1	1
21080	21080-0005	ARMATURE	*	*		
21080A	21080-0009	ARMATURE			1	1
21080B	21080-0009	ARMATURE	1	1		
21163	21163-0727	STARTER-ELECTRIC	*	*		
21163A	21163-0749	STARTER-ELECTRIC			1	1
21163B	21163-0749	STARTER-ELECTRIC	1	1		
27012	27012-7008	HOOK	1	1	1	1
39184	39184-0019	BRACKET-ASSY			1	1
39184A	39184-0019	BRACKET-ASSY	1	1		
39184B	39184-0020	BRACKET-ASSY	*	*		
92153	92153-7034	BOLT	2	2	2	2
92200	92200-0834	WASHER	1	1	1	1
92200A	92200-7023	WASHER	1	1	1	1
92200B	92200-7024	WASHER	1	1	1	1
92210	92210-0834	NUT	1	1	1	1
130	130BA0830	BOLT-FLANGED,8X30	2	2	2	2

This catalog covers:

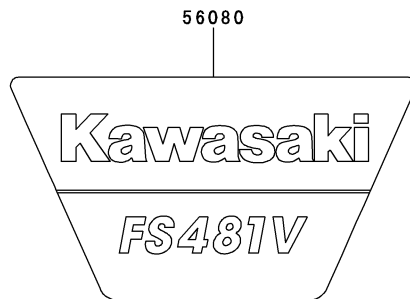
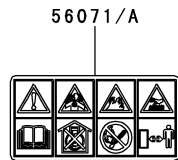
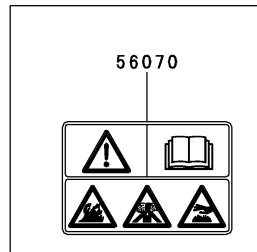
FS481V- □ E50

12

This fig. covers:

LABEL

F0290-B854B



Ref. No.	Part No.	Description	Quantity			
			A	B	C	D
56070	56070-2021	LABEL-WARNING	*			
56071	56071-0366	LABEL-WARNING		1	1	1
56071A	56071-0366	LABEL-WARNING	1			
56080	56080-0753	LABEL-BRAND	1	1	1	1

This catalog covers:

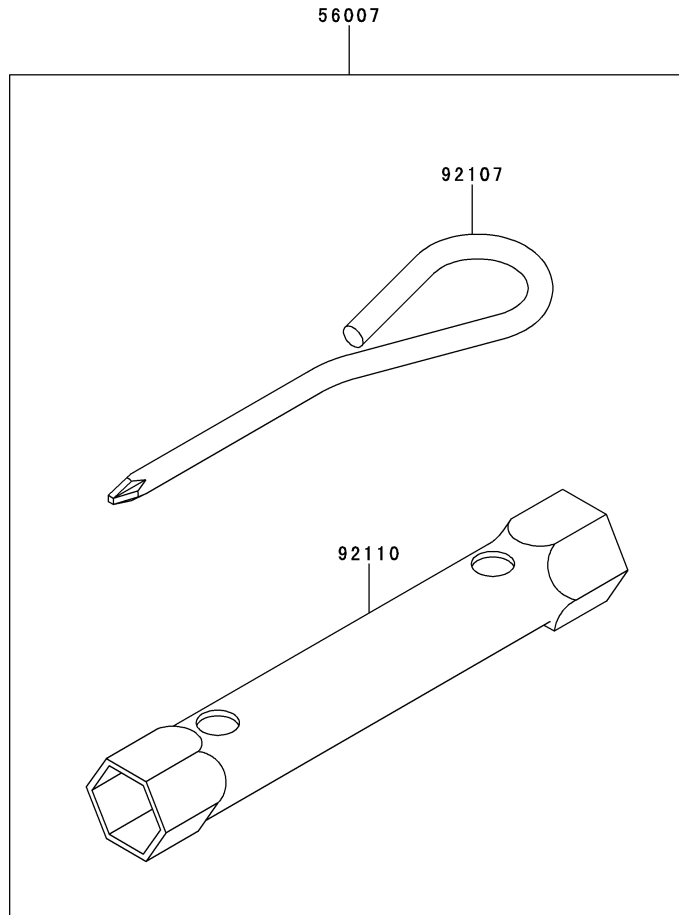
FS481V- □ E50

This fig. covers:

13 TOOL

F0300-A001A

Ref. No.	Part No.	Description	Quantity			
			A	B	C	D
56007	56007-2051	TOOLKIT	1	1	1	1
92107	92107-2057	TOOL-DRIVER	1	1	1	1
92110	92110-2051	TOOL-WRENCH,19X21	1	1	1	1



This catalog covers:

FS481V- □ E50

This fig. covers:

PART NAME INDEX

AIR-FILTER/MUFFLER	09
CARBURETOR	08
CARBURETOR	08
CONTROL-EQUIPMENT	07
COOLING-EQUIPMENT	05
CYLINDER/CRANKCASE(AE50/BE50)	01
CYLINDER/CRANKCASE(CE50/DE50)	01
ELECTRIC-EQUIPMENT	06
FUEL-TANK/FUEL-VALVE	10
LABEL	12
LUBRICATION-EQUIPMENT	04
PISTON/CRANKSHAFT	02
STARTER(~FS481VA57360)	11
STARTER(FS481VA57361~)	11
TOOL	13
VALVE/CAMSHAFT	03

This catalog covers:

FS481V- □ E50

This fig. covers:

NUMERICAL PARTS INDEX

Part No.	Fig No.	Part No.	Fig No.	Part No.	Fig No.	Part No.	Fig No.	Part No.	Fig No.
11004-7027	01	130CA0870	01	21080-0009	11	49070-7024	09	92039-0734	05
11004-7027	01	130CA0870	01	21080-0009	11	49078-7002	03	92039-0751	05
11008-7050	01	13101-0650	11	21163-0714	11	49089-7083	05	92039-0751	05
11008-7050	01	13101-0650	11	21163-0727	11	49089-7084	05	92039-7004	05
11008-7051	01	13101-7010	11	21163-0749	11	49103-7017	07	92043-0858	01
11008-7051	01	13107-7018	08	21163-0749	11	49113-0725	07	92043-1263	01
11011-0775	09	13107-7049	07	21171-0711	06	49116-7001	04	92043-1263	01
11011-0787	09	13116-7008	03	21171-0711	06	49118-0809	03	92049-7001	01
11011-0787	09	13251-0718	02	21171-0738	06	49118-0809	03	92049-7001	01
11013-0726	09	13251-0718	02	21188-7002	08	49118-7023	03	92049-7010	01
11013-0726	09	13251-7021	02	21193-0016	06	49118-7023	03	92049-7010	01
11013-0752	09	13271-7007	03	21193-0016	06	49120-0731	01	92049-7019	01
11013-7046	09	13271-7021	03	21193-7038	06	49120-0731	01	92049-7019	01
11022-0038	01	13271-7038	07	214AA0408	01	49121-7021	08	92049-7028	01
11022-0038	01	13272-1374	01	214AA0408	07	51023-2159	10	92049-7028	01
11022-0710	01	13272-1374	01	23062-7022	05	51036-2066	10	92055-2002	10
11022-0710	01	13272-1487	05	26011-2234	06	510A5100	06	92055-7002	04
11022-0711	01	13272-1487	05	26011-7025	06	55020-0900	05	92055-7025	09
11022-0711	01	13272-7006	05	26011-7025	06	555A0420	04	92063-7046	08
11055-7009	03	13272-7011	04	26031-7040	06	56007-2051	13	92063-7047	08
11060-2315	10	14020-7002	11	26031-7047	06	56070-2021	12	92063-7156	08
11060-7016	09	14037-7008-9H	05	27005-2056	06	56071-0366	12	92066-0095	09
11061-0877	08	14043-2058	10	27008-2055	06	56071-0366	12	92066-0761	01
11061-0877	08	14075-0037	04	27010-0818	06	56080-0753	12	92066-0761	01
11061-7009	08	14075-0037	04	27010-0818	06	59031-7017	06	92066-0761	01
11061-7010	08	14075-7013	04	27010-2154	06	59041-0008	05	92066-0762	01
11061-7083	01	14091-7064	01	27010-7002	06	59051-7034	11	92066-0762	01
11061-7083	01	14091-7064	01	27012-0721	01	59066-0018	05	92066-0762	01
11061-7089	08	15004-0822	08	27012-0721	01	59066-0044	05	92066-0774	04
11061-7094	01	15004-0822	08	27012-7008	11	59066-0044	05	92066-0774	04
11061-7094	01	15004-7085	08	27012-7008	11	59071-0733	01	92066-2204	08
11061-7095	09	16014-7011	08	311BA0600	07	59071-7008	04	92066-2223	01
11061-7096	08	16020-7003	08	312AA0500	07	59071-7025	01	92066-2244	08
12004-7009	03	16025-7006	08	312AA0600	03	59071-7025	01	92066-7003	04
12005-0735	03	16030-7003	08	32154-7019	01	59076-7020	08	92066-7007	04
12005-0735	03	16031-7002	08	32154-7019	01	59231-0712	04	92066-7023	01
12005-7010	03	16041-7018	08	32155-7003	01	670B2011	01	92066-7026	01
12009-7001	03	16041-7049	08	32155-7003	01	670B2011	01	92070-7004	06
12011-2056	03	16060-0740	09	39076-7001	08	670D2016	04	92072-7003	06
12016-2066	03	16060-0742	09	39108-0552	11	92004-2149	08	92072-7012	09
12032-7001	03	16073-7007	08	39129-0725	07	92004-2149	08	92081-2234	08
13001-7031	02	16126-7020	01	39184-0019	11	92004-7027	08	92093-0593	08
13002-7001	02	16126-7020	01	39184-0019	11	92009-2004	10	92093-0593	08
13008-7006	02	16146-7013	11	39184-0020	11	92009-2083	08	92093-0594	08
13025-7010	02	16146-7027	11	411AA0600	07	92009-2303	06	92093-0594	08
13029-7011	02	16146-7030	11	42036-7015	10	92009-2303	10	92093-2100	08
13031-0731	02	16154-7010	04	42036-7021	03	92009-2349	08	92093-7007	11
13031-0814	02	16154-7011	04	461DA0800	09	92015-1367	09	92104-0007	01
13031-0814	02	16171-0035	07	49015-0019	01	92015-2007	10	92104-0007	01
13070-7017	03	16171-0035	07	49015-7104	01	92022-1982	02	92104-7001	01
130AA0620	06	16171-7025	07	49019-0014	10	92026-7007	05	92107-2057	13
130AA0625	01	16186-7001	08	49019-0027	10	92033-0725	02	92110-2051	13
130AA0635	08	172BA0818	01	49019-0707	10	92033-0725	02	92140-7003	04
130AA0814	03	172BA0822	01	49019-7001	10	92033-0727	03	92140-7005	03
130BA0620	06	172BA0822	01	49019-7001	10	92033-0727	03	92145-0931	08
130BA0620	06	18077-7001	09	49019-7001	10	92033-7001	03	92145-0931	08
130BA0625	01	21039-7002	11	49019-7005	10	92033-7002	02	92145-1579	08
130BA0625	01	21066-7017	06	49040-7008	10	92038-2101	02	92145-1579	08
130BA0830	11	21080-0003	11	49065-7006	04	92039-0734	05	92145-1653	03
130BA0830	11	21080-0005	11	49065-7007	04	92039-0734	05	92145-1653	03

